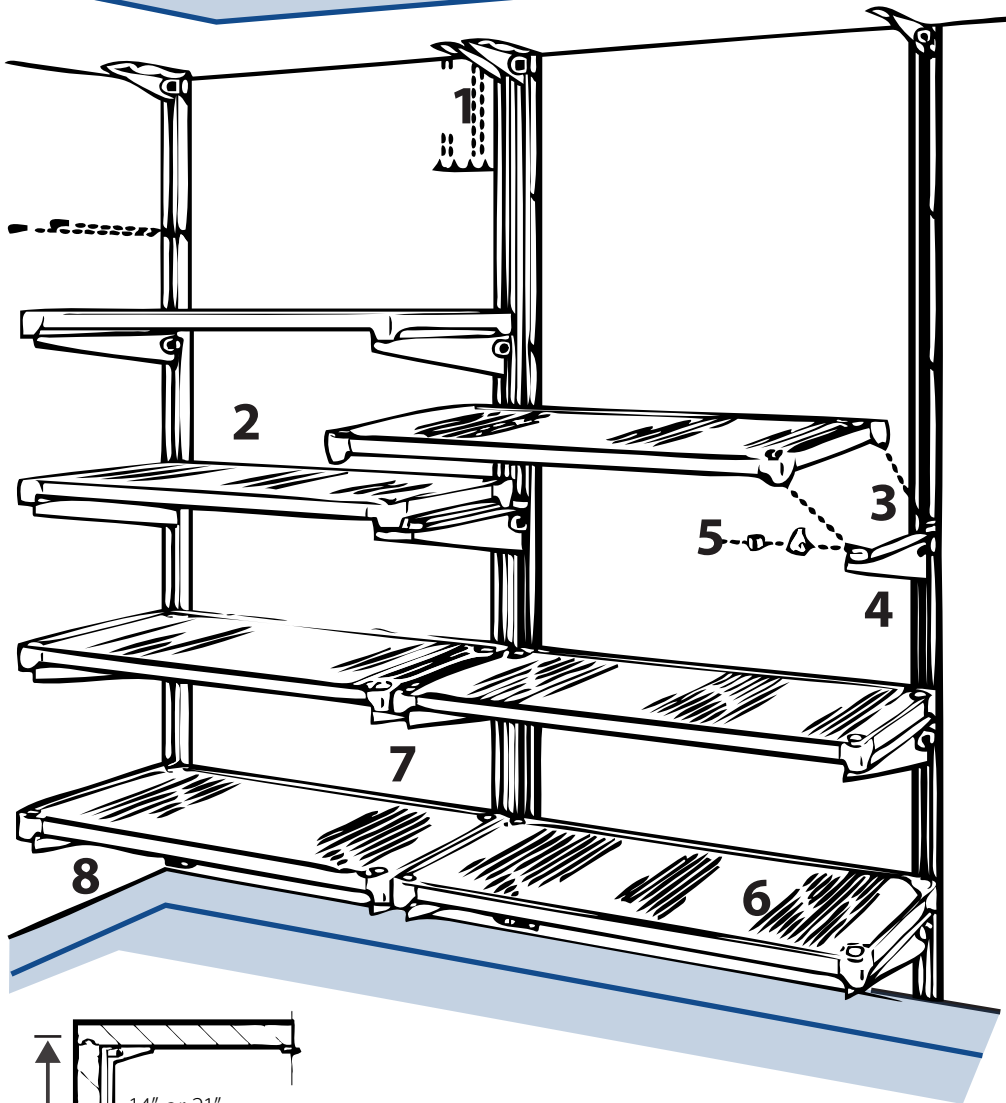
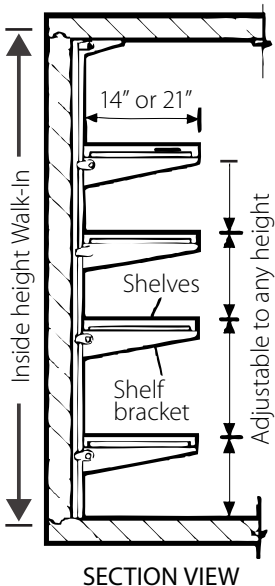




# ADJUSTABLE CANTILEVER SHELVING



- 1 Stainless steel top anchors are held firmly in place by zinc-plated steel sheet metal screws.
- 2 Heavy-duty extruded aluminum wall standards are attached to panel skins with zinc-plated steel sheet metal screws.
- 3 Shelves are positioned over nylon projections and finished with closure caps so they're easy to install and remove. Shelves are available in lengths of 36", 48" and 60"; in 14" and 21" widths. (Other lengths are available on request.)
- 4 Two stainless steel support brackets per shelf support product loads.
- 5 Malleable iron clamps permit fast, easy shelf adjustment to any desired position on wall standards. Each clamp is secured by a single 3/8" plated nut and bolt.
- 6 Wire shelves, available in chrome, epoxy or stainless steel finish, allow maximum air circulation. All shelves have raised wire edges to keep stored product in place.
- 7 Elimination of front support posts yields utmost product accessibility.
- 8 Bally's adjustable, cantilever wire shelving is easy to clean, even along difficult floor areas.



Our cantilever shelving makes organizing your Walk-In simple & sanitary!

**Maximum support capacities for all shelving are as follows (per lengths shown): 36"-465 lbs.; 48"-360 lbs.; 60"-300 lbs.**

**Contact us today!**  
**1-800-24BALLY**  
**www.ballyrefboxes.com**